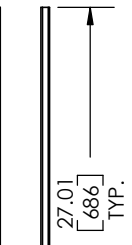


∅ .20[5.1] THRU ALL
 √ ∅ .41[10.3] X 82°

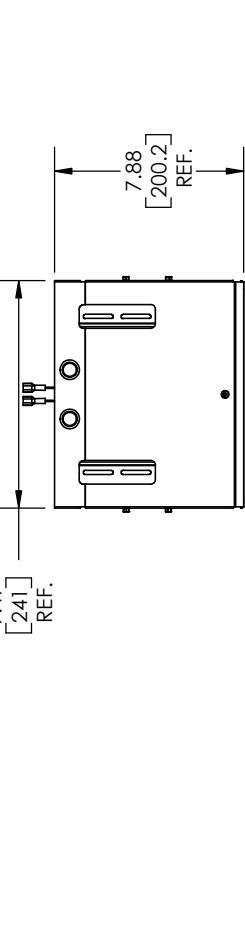


27.01
 [686]
 TYP.

- NOTE:**
1. FINISH: BLACK POWDER COATED ON ALL SHEET STEEL PARTS.
 ANNOXIDIZED BLACK ON ALUMINUM TUBING & ALUMINUM DECKS
 MATTE BLACK PAINT ON BIRCH PLYWOOD
 2. MATERIAL: SLIDE MEMBERS AND COMPONENT PARTS:
 WORK-HARDENED, COLD-ROLLED STEEL.
 3. SLIDE TRAVEL: 34.00 ± 0.125 [863.6 ± 3.2]
 4. LOAD RATING: 120 lbs [54.4 kgs.]
 5. SEE INSTALLATION GUIDE FOR ADJUSTABLE WIDTH DIMENSION OF REVERSAL PLATES.
 6. SEE INSTALLATION GUIDE FOR ADJUSTABLE SKID GUARD HEIGHT.
 7. HOLE AND SLOT PATTERN FITS COMMON UNIVERSAL T.V. MOUNTS FOR 42"-50" PLASMA T.V.

8. CBLIFT-127 INCLUDES:
 LARGE REMOTE CONTROL, 1 EA.
 KEY REMOTE CONTROL, 1 EA.
 EURO PLUG(CEE7-4) BLACK POWER CORD (183 CM LONG), 1 EA.
 UK PLUG(BS1363) BLACK POWER CORD (183 CM LONG), 1 EA.
 4180-0660-XE HARDWARE KIT IN RESEALABLE POLY BAG, 1 EA.
 CBLIFT-127 DATA SHEET, 1 EA.
 CBLIFT-127 INSTALLATION GUIDE, 1 EA.
 CBLIFT-127 USER GUIDE, 1 EA.
 4180-0625-XE SCREW KIT IN POLY BAG, 1 EA.
 M5 X 32L FLAT HD. PHIL. WOOD SCREW, BLACK, 10 EA.
 M4 X 10L PAN HD. PHIL. MACH. SCREW, BLACK, 4 EA.
 4180-0616-XE TV MOUNT HARDWARE KIT IN POLY BAG, 1 EA.
 M8 X 22L PAN HEAD PHIL. SCREW, 4 EA.
 M8 NYLON INSERT HEX NUT, 4 EA.
 M8 X 1.5 MM THICK X 16MM OD STEEL WASHER, 8 EA.

9. SCREW MOUNTED CLAMP BRACKET TO SECURE CONTROL BOX LID IS INCLUDED.
10. WIRE CLIPS PLACED NEAR CONTROL BOX TO ADD SECURITY FROM WIRES BEING PULLED OFF OF THE CONTROL BOX.
11. APPROX. LOCATION FOR SPECIAL LABEL, 2999-9754-YE GE LABEL, 1 EA.
12. APPROX. LOCATION FOR SPECIAL LABEL, 2999-9755-YE DANGER LABEL, 1 EA.
13. APPROX. LOCATION FOR SPECIAL LABEL, 2999-9756-YE INSTALL WARNING LABEL, 1 EA.
14. APPROX. LOCATION FOR SPECIAL LABEL, 2999-9757-YE LOAD WARNING LABEL, 1 EA.
15. SCREWS HOLES AVAILABLE TO MOUNT REVERSAL BRACKET ASSEMBLY AT VARIOUS VERTICAL POSITIONS.



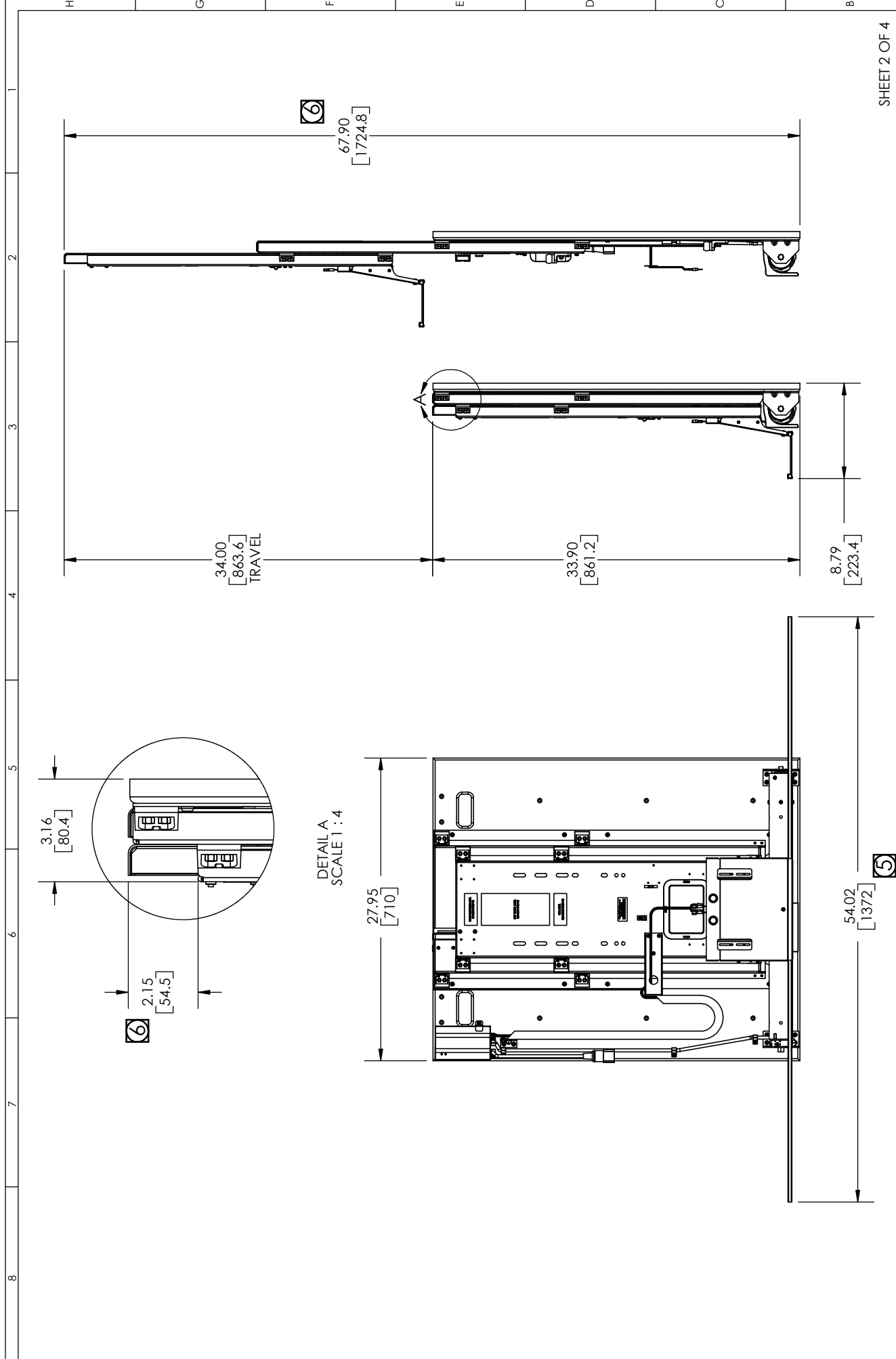
27.01
 [686]
 TYP.

SYM.	IS	DESCRIPTION	WAS	DATE	APPD.
B		UPDATED LABELS, CLAMP BRACKET, EXTRA WIRE CLIPS, ADDITIONAL SCREW HOLES FOR REVERSAL BRACKET, ADDED UK POWERCORD & EURO POWERCORD.		10-17 2007	DDC

THIS Accuride PRODUCT COVERED BY U.S. PATENTS #3260525, #3776120 AND OTHER U.S. PATENTS PENDING. CUSTOMER: Accuride UK		REV.
SCALE	DATE	CONTROLLING DOCUMENT
DRAWN	D.D.C.	APPROVED
N.T.S. 05-11-07	ACCURIDE CUSTOMER TOLERANCES NOT SHOWN in mm xxx ± .030 ± .008 ± .5 Holes ± .008 ± .5 Angles ± 1°	Accuride QUICK LIFT PART NUMBER CBLIFT-127
		REV B

SHEET 1 OF 4

THIS DOCUMENT IS FURNISHED FOR THE EXPRESS AND EXCLUSIVE PURPOSE OF CONVEYING INFORMATION TO CUSTOMERS AND SUPPLIERS OF ACCURIDE INTERNATIONAL INC., AND IS NOT TO BE DISCLOSED TO COMPETITIVE SOURCES.



SHEET 2 OF 4

THIS **Acculife** PRODUCT COVERED BY U.S. PATENTS #3206025, #3776120 AND OTHER U.S. PATENTS PENDING.
 CUSTOMER: Acculife UK

SCALE	N.T.S.	DATE	CONTROLLING DOCUMENT	
DRAWN	D.D.C.	05-11-07	<input checked="" type="checkbox"/> ACCULIFE	<input type="checkbox"/> CUSTOMER
APPROVED			TOLERANCES NOT SHOWN	
			in mm	in mm
			xxx ± .030	xxx ± .008
			xx ± .0075	xx ± .008
			ANGLE ± 1°	

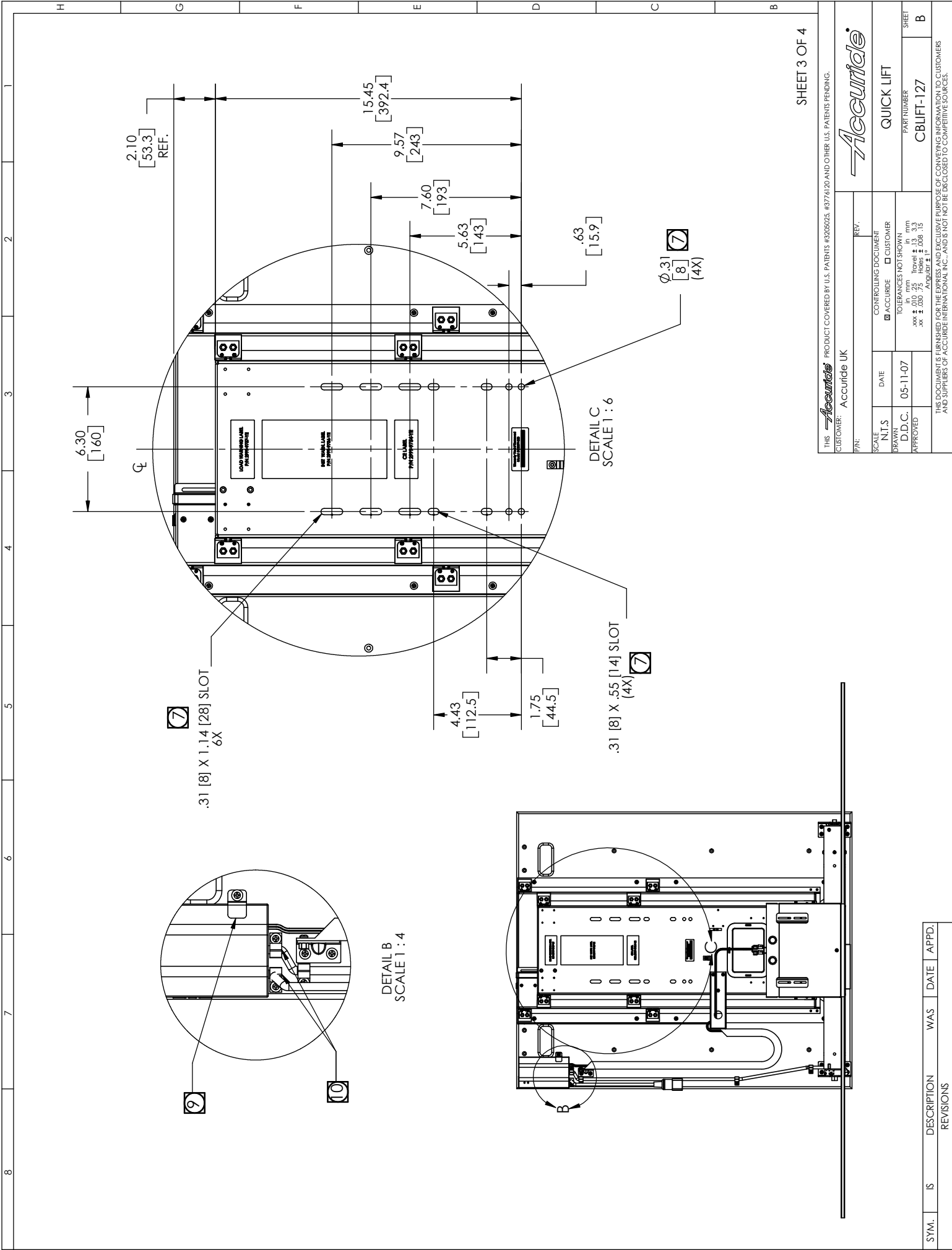
P/N: _____ REV. _____

Acculife		QUICK LIFT
SYM.	IS	DESCRIPTION
		WAS
		DATE
		APPD.
		REVISIONS

PART NUMBER: CBLIFT-127

SHEET: B

THIS DOCUMENT IS FURNISHED FOR THE EXPRESS AND EXCLUSIVE PURPOSE OF CONVEYING INFORMATION TO CUSTOMERS AND SUPPLIERS OF ACCULIFE INTERNATIONAL, INC., AND IS NOT TO BE DISCLOSED TO COMPETITIVE SOURCES.



SHEET 3 OF 4

THIS **Accuride** PRODUCT COVERED BY U.S. PATENTS #3206025, #3776120 AND OTHER U.S. PATENTS PENDING.

CUSTOMER: Accuride UK

P/N: _____ REV. _____

SCALE	DATE	CONTROLLING DOCUMENT
N.T.S.		<input checked="" type="checkbox"/> ACCURIDE <input type="checkbox"/> CUSTOMER
D.D.C.	05-11-07	TOLERANCES NOT SHOWN
APPROVED		in mm: .100 / .25 in: .004 / .010 Hole: .008 / .15 Angles: ± 1°

QUICK LIFT

PART NUMBER: CBLIFT-127

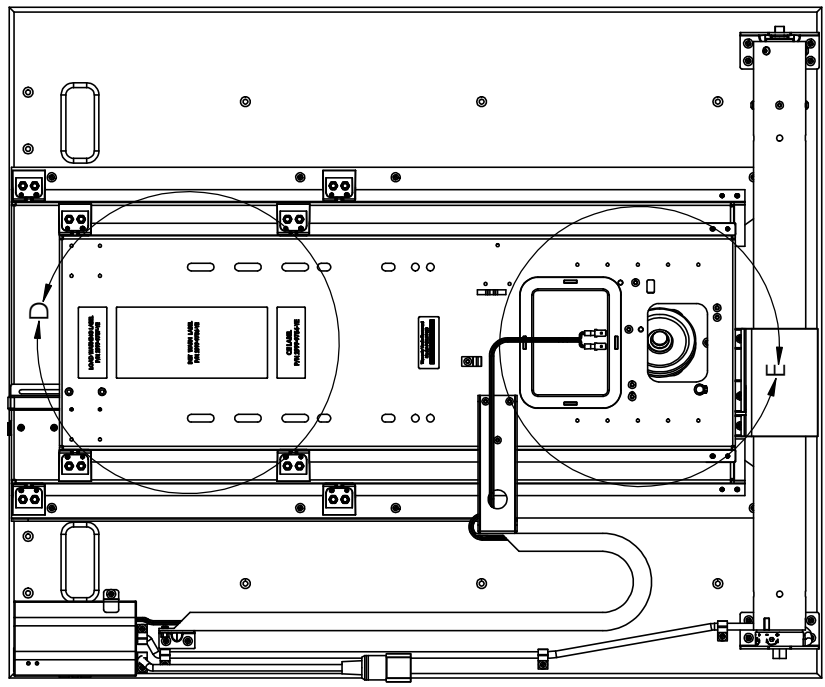
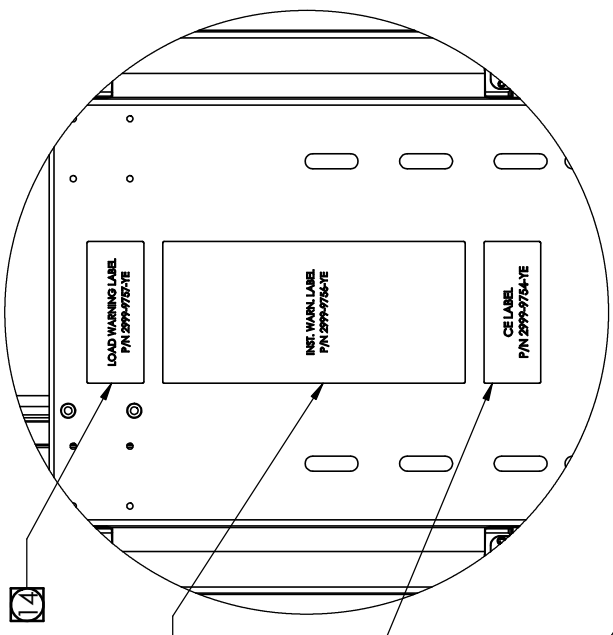
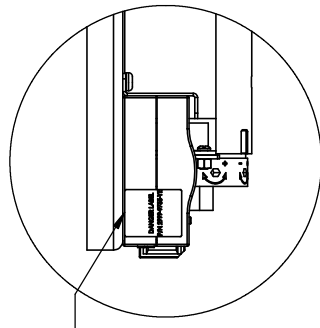
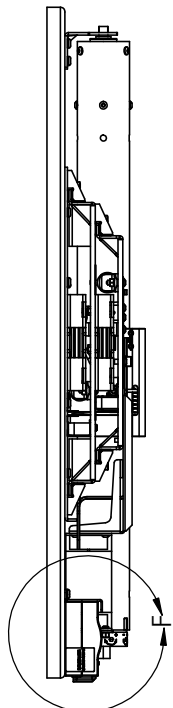
SHEET: B

SYM.	IS	DESCRIPTION	WAS	DATE	APPD.
		REVISIONS			

THIS DOCUMENT IS FURNISHED FOR THE EXPRESS AND EXCLUSIVE PURPOSE OF CONVEYING INFORMATION TO CUSTOMERS AND SUPPLIERS OF ACCURIDE INTERNATIONAL, INC., AND IS NOT TO BE DISCLOSED TO COMPETITIVE SOURCES.

8 7 6 5 4 3 2 1

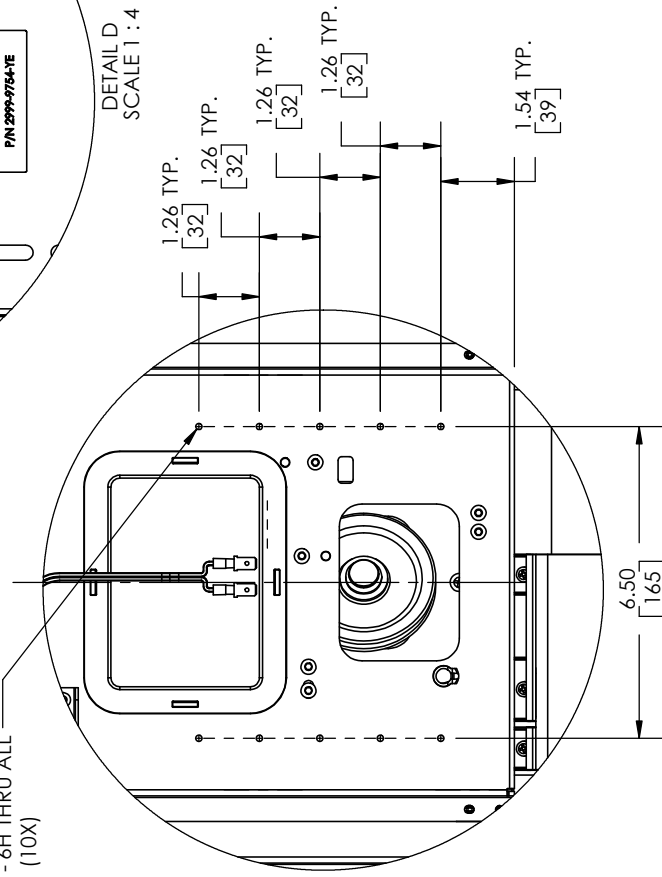
H G F E D C B



DETAIL F
SCALE 1 : 4

Ø .13[3.3] THRU ALL
M4X0.7 - 6H THRU ALL
(10X)

DETAIL D
SCALE 1 : 4



DETAIL E
SCALE 1 : 4

THIS **Accuride** PRODUCT COVERED BY U.S. PATENTS #326025, #3776120 AND OTHER U.S. PATENTS PENDING.
 CUSTOMER: **Accuride UK**

SCALE	DATE	CONTROLLING DOCUMENT
N.T.S.		<input checked="" type="checkbox"/> ACCURIDE <input type="checkbox"/> CUSTOMER
DRAWN	D.D.C.	TOLERANCES NOT SHOWN
APPROVED	05-11-07	in mm xxx ± .030 / 25 inches xxx ± .008 / 15 Angles ± 1°
P/N:		REV.

THIS DOCUMENT IS FURNISHED FOR THE EXPRESS AND EXCLUSIVE PURPOSE OF CONVEYING INFORMATION TO CUSTOMERS AND SUPPLIERS OF ACCURIDE INTERNATIONAL, INC., AND IS NOT TO BE DISCLOSED TO COMPETITIVE SOURCES.

Accuride

QUICK LIFT

PART NUMBER
CBLIFT-127

SHEET
B

SYM.	IS	DESCRIPTION	WAS	DATE	APPD.
		REVISIONS			