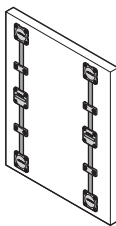
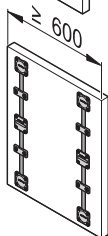
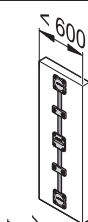




406.99.613
406.99.614
406.99.615



732.24.181



A 2x

B 2x

C 2x

D 2x

E 2x

F 2x

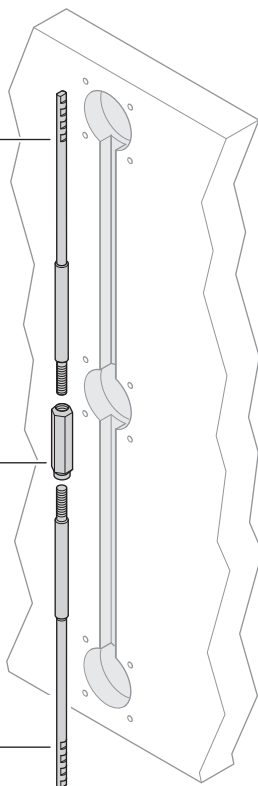
C 2x

D 2x

G 2x

B 2x

H



+



I

HOSPA



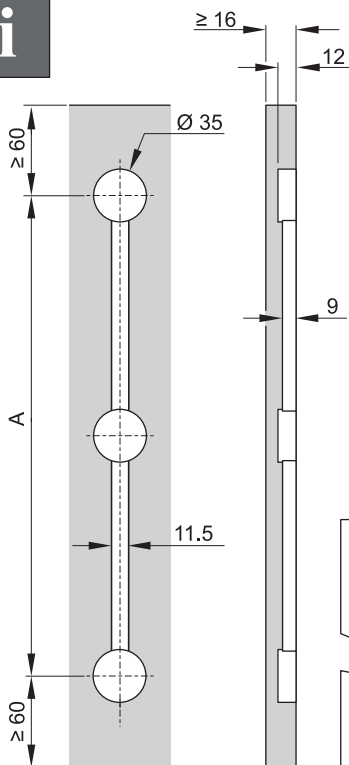
Ø3.5x15
36x

HDE 03.12.2019

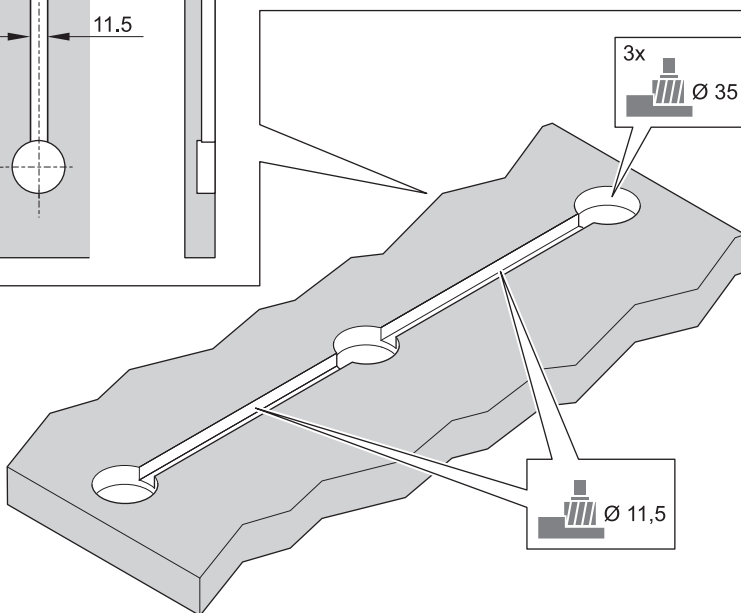
1



i



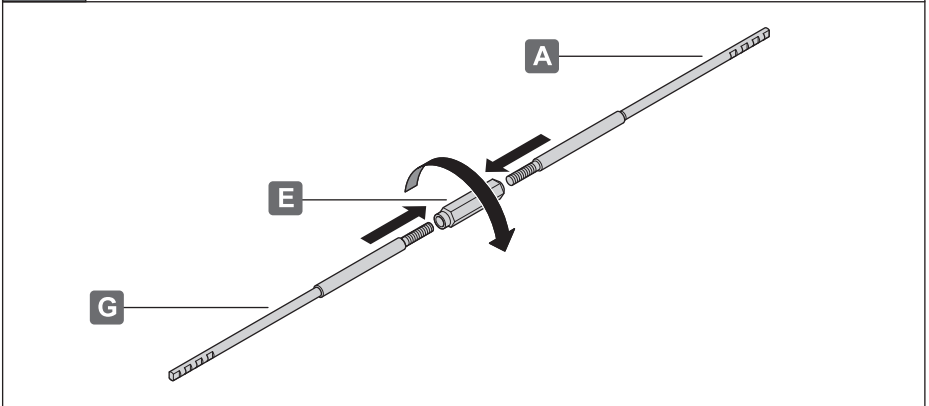
406.99.613	≤ 2250	1838
406.99.614	≤ 2450	1988
406.99.615	≤ 2650	2248



732.24.181

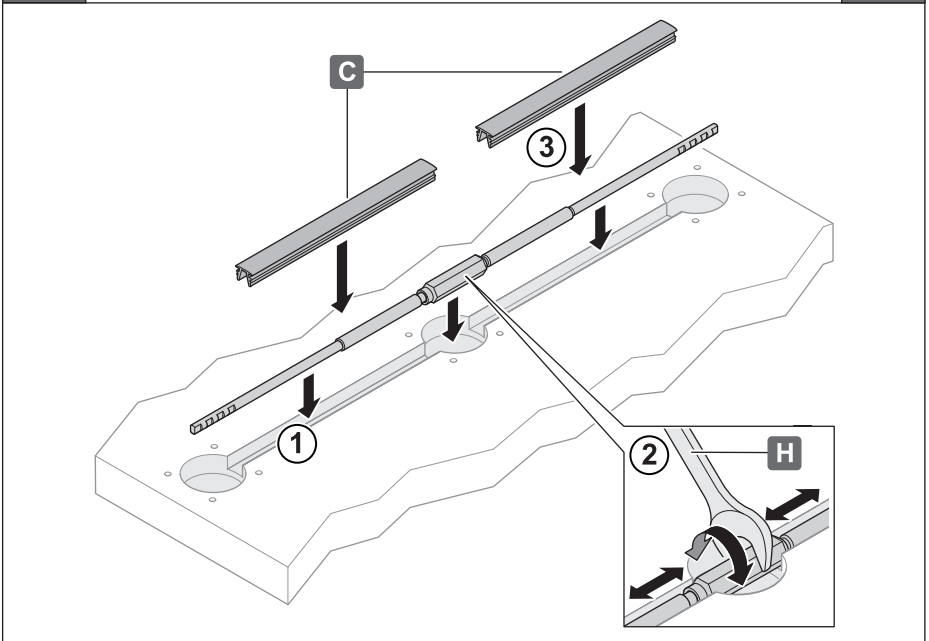
HDE 03.12.2019

2



732.24.181

3

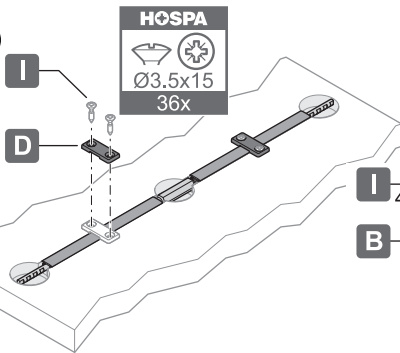


HDE 03.12.2019

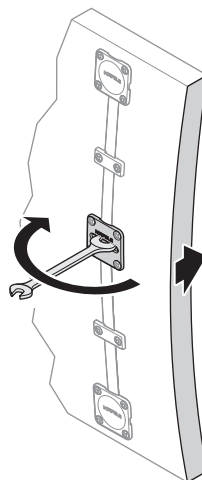
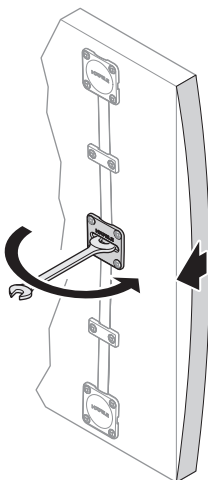
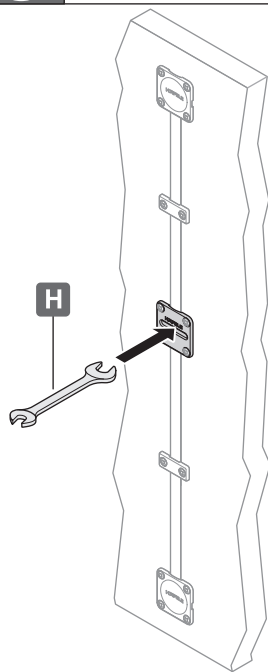
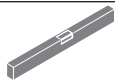
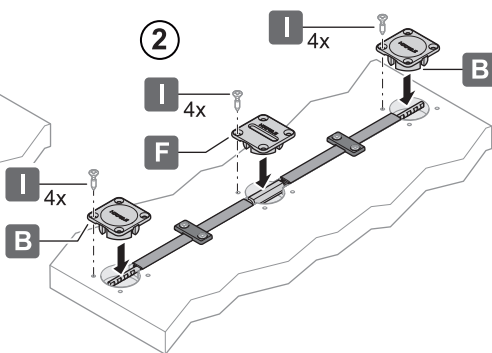
4



1



2



732.24.181

HDE 03.12.2019