



## MLA 8

237.59.030



www.hafele.com

	12 V System		
237.59.030	12 V DC	280 x 50 x 25,2	0-50 °C



ZN 6.117.010.90c

732.22.031

**12 V DC → PS 4 (0,5 m)**  
237.56.360 | 0,5

**+**

**D** 079.00.027

**C** 079.00.013

	MLA 8 → PS 4	MLA 8 → FT 200
<b>E</b>	823.28.327   2	237.56.361   1
<b>F</b>	823.28.351   5	237.56.362   2
	823.28.360   10	237.56.365   5

**i**

**Multi Lock Adaptor MLA 8**

V<sub>in</sub>: 9,6 Vdc - 14,4 Vdc  
 Contact NC: 24Vdc max., 1 A max.  
 EFL X: V=V<sub>in</sub>, I<sub>out</sub>=500mA max. 1000mA max. per MLA 8

Labels: V<sub>in</sub>, V<sub>out</sub>, Data Out, Data In, Contact NC, OUT 1-8 (EFL 3, EFL X)

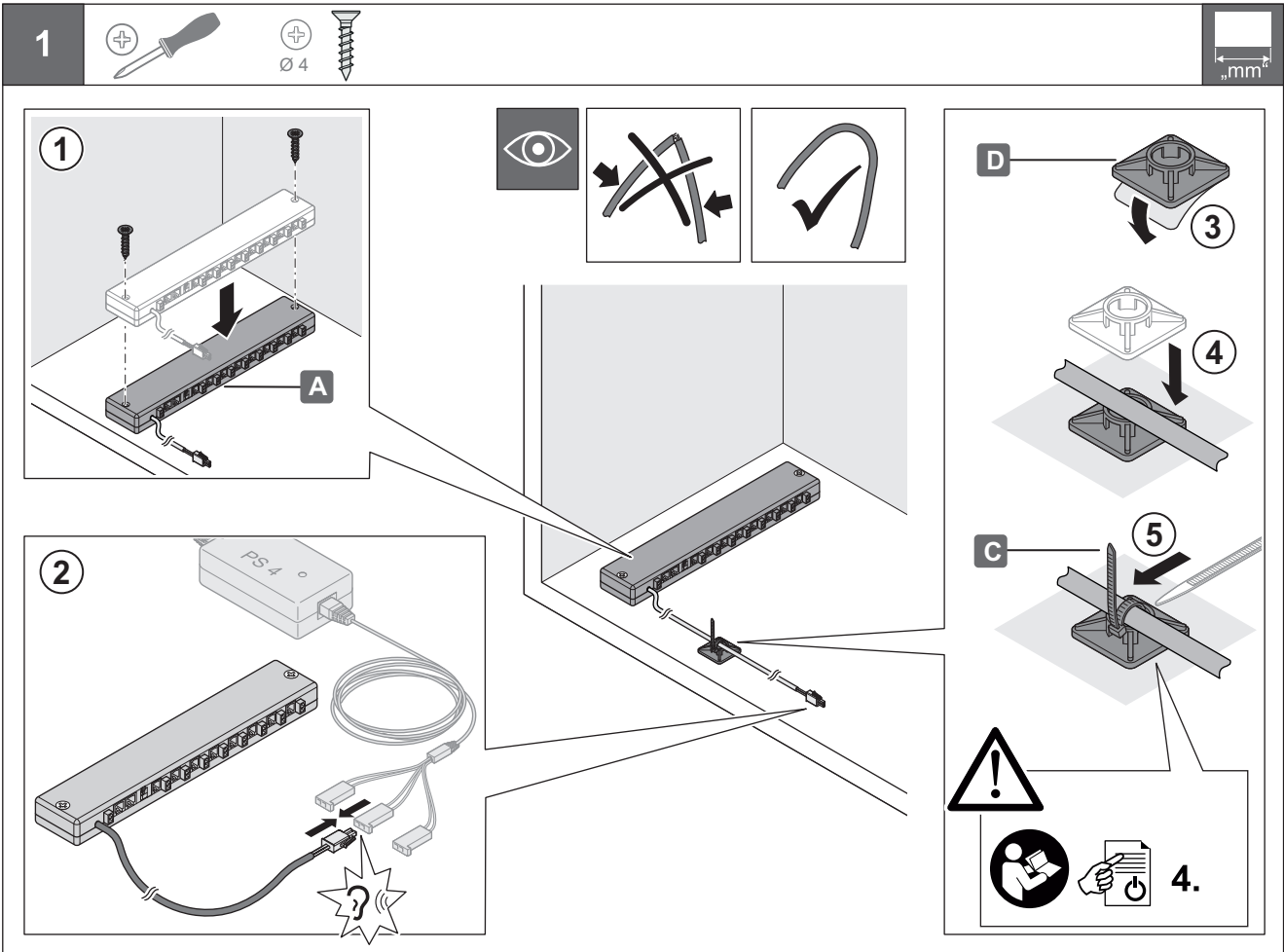
**EFL X = EFL 1 / 6 / 7 / 8 / 41**

3.1

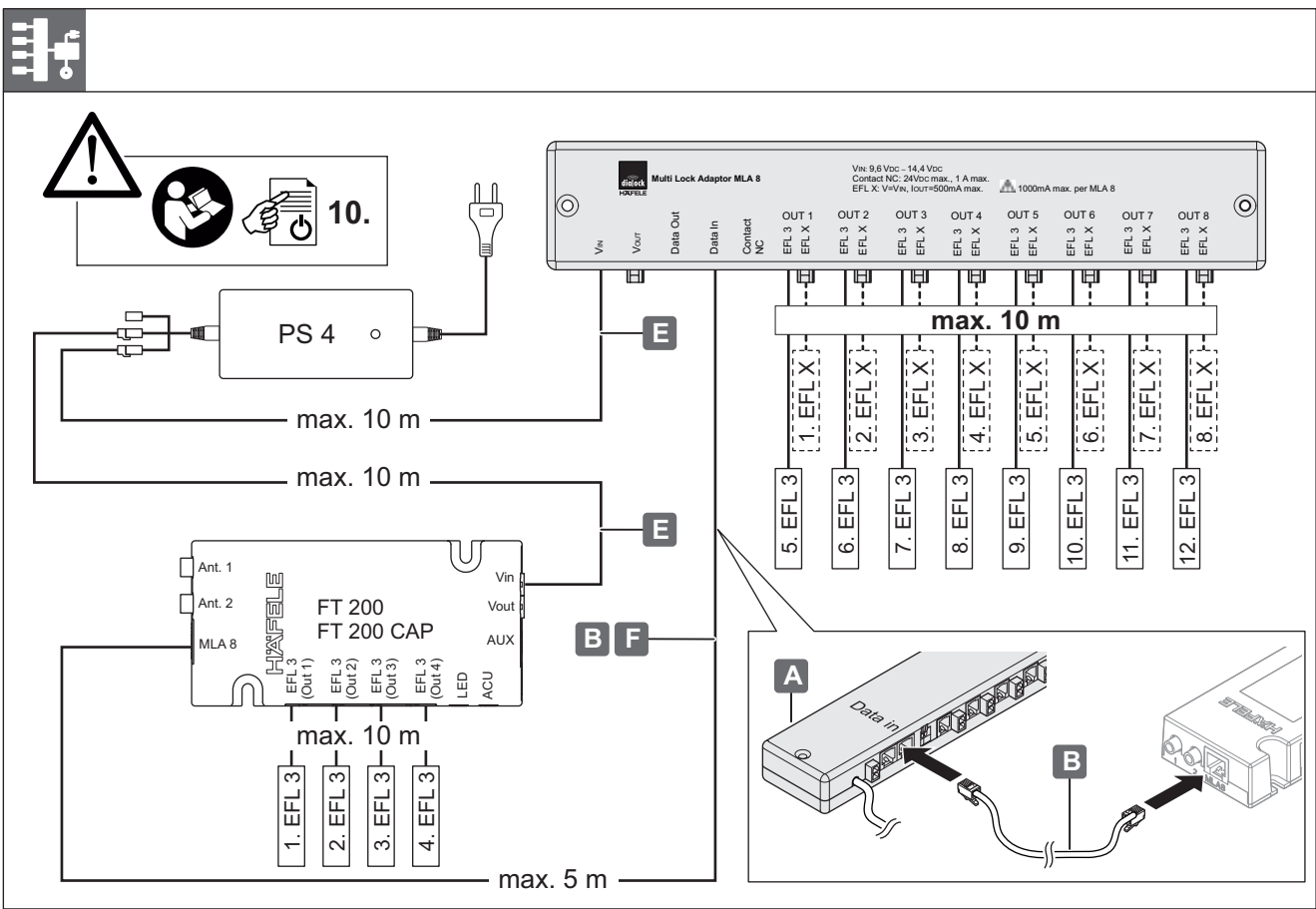
„mm“

LED

HDE 14.12.2022



732.22.031



HDE 14.12.2022