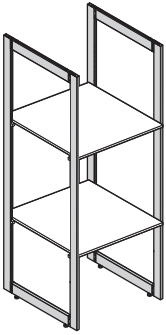






## DressCode

806.33.501	806.33.701
806.33.502	806.33.702
806.33.506	806.33.706
806.33.507	806.33.707
806.33.508	806.33.708



4x **G**

**A**

**B**

2x **C**

2x **D**

**A**

**E** 2x

**F**

H

+

+

**H**

**J** 2x

**I** 2x

806.33.770  
806.33.570

+

**K** 4x

**L** 4x

**M** 4x

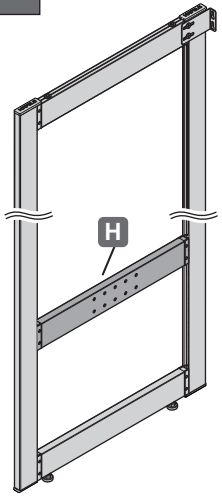
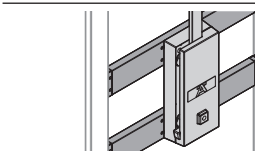
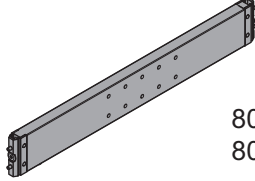
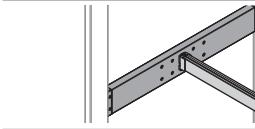
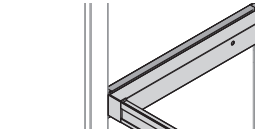
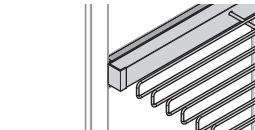
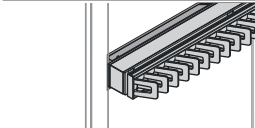

**N** 4x

806.33.581  
806.33.781

H	
2300	14 * <b>F</b>
2940	18 * <b>F</b>

732.28.840

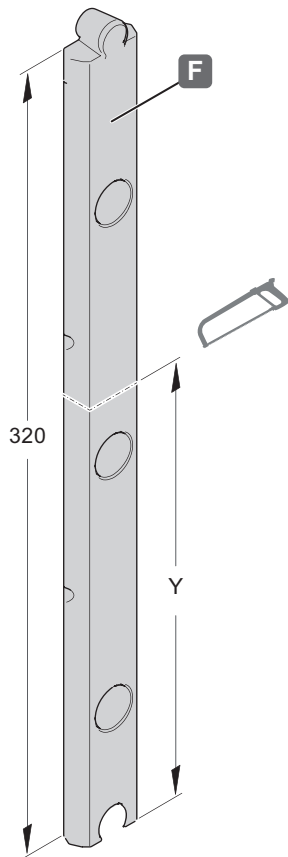
HDE 08.11.2021

<p><b>i</b></p> 		 <p>806.33.770 806.33.570</p>
		<p>4X</p>
		<p>2X</p>
		<p>2X</p>
		<p>2X</p>
		<p>1X</p>

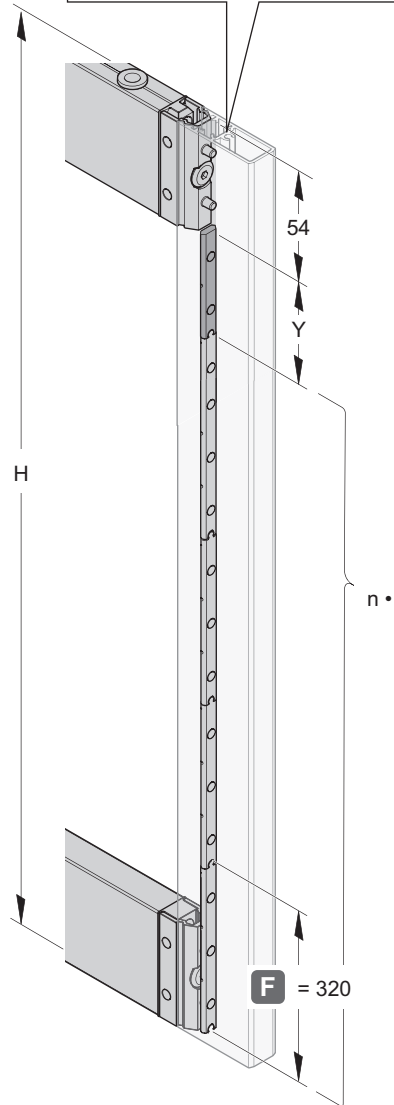
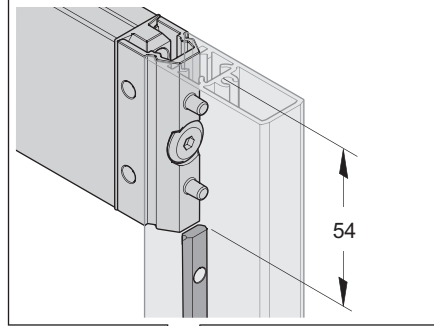
1



n	H / 320
Y	(H - 54) - n * 320

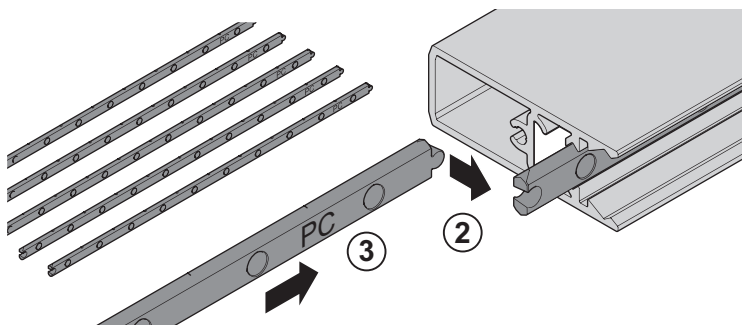
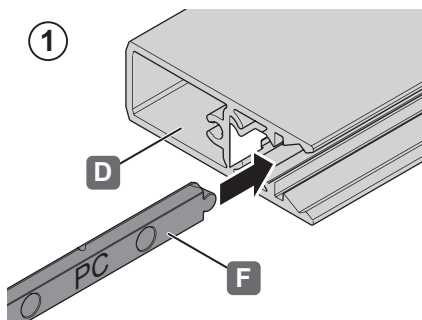


i



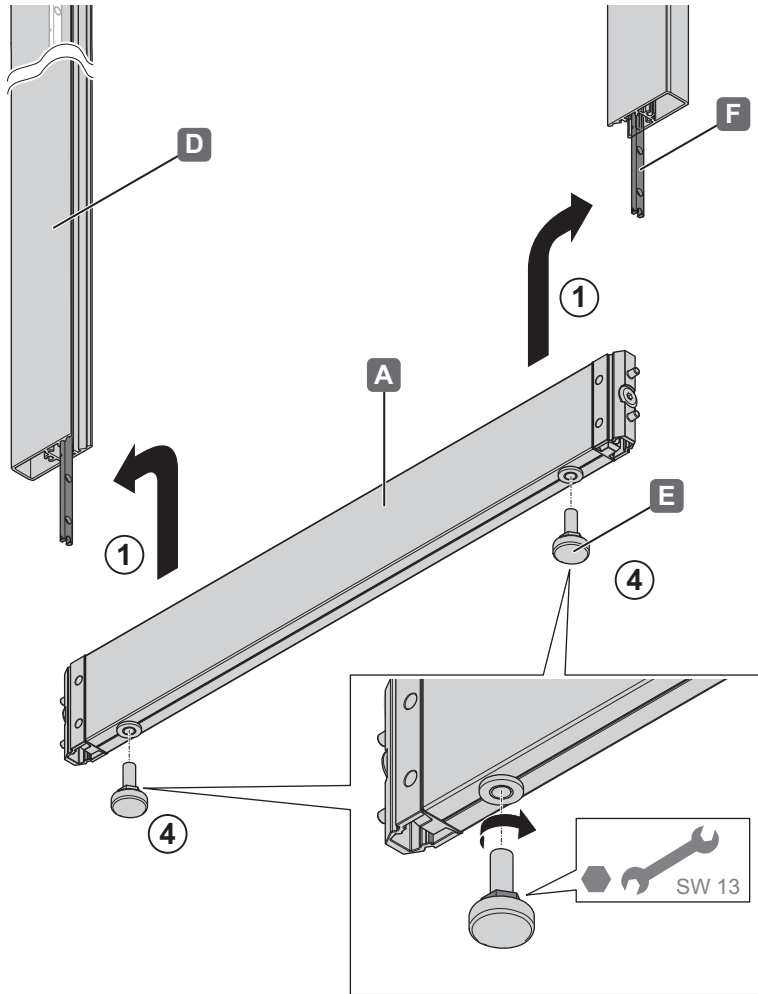
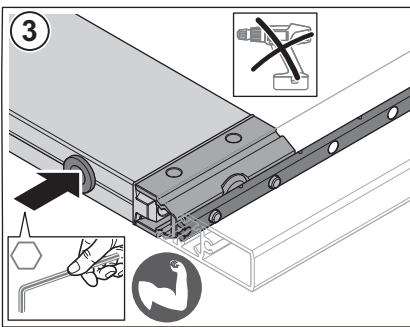
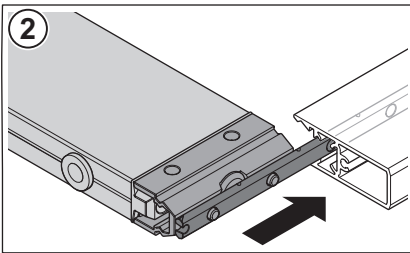
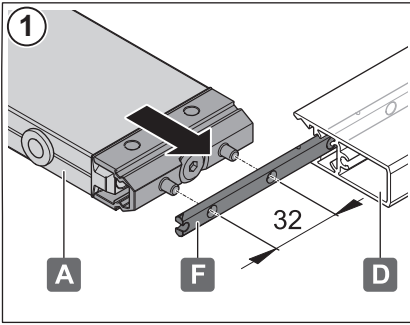
732.28.840

2

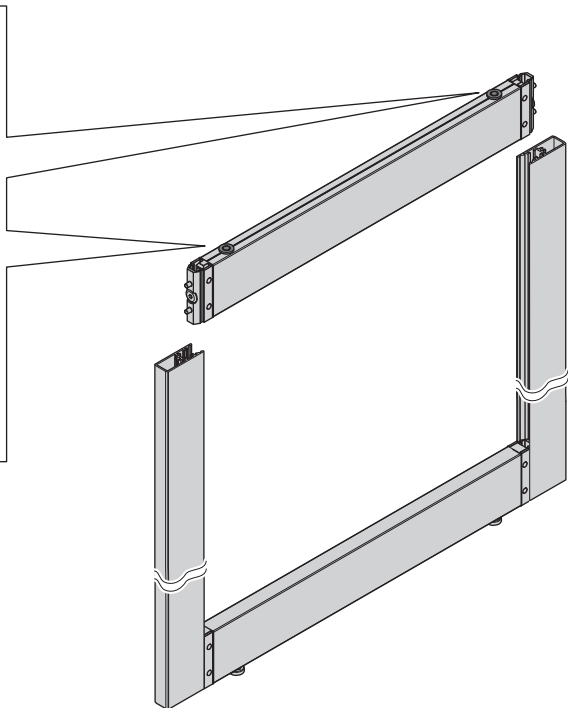
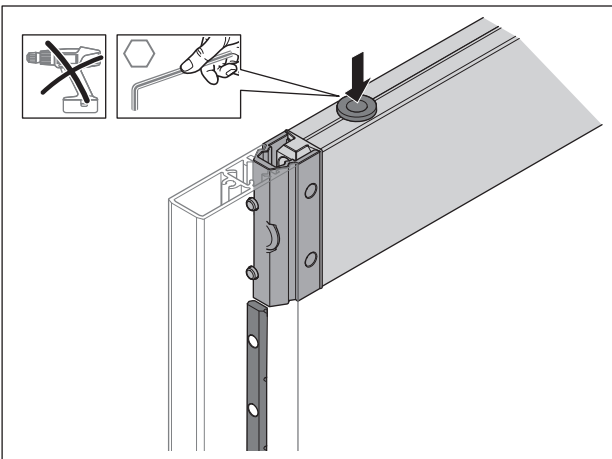


HDE 08.11.2021

3

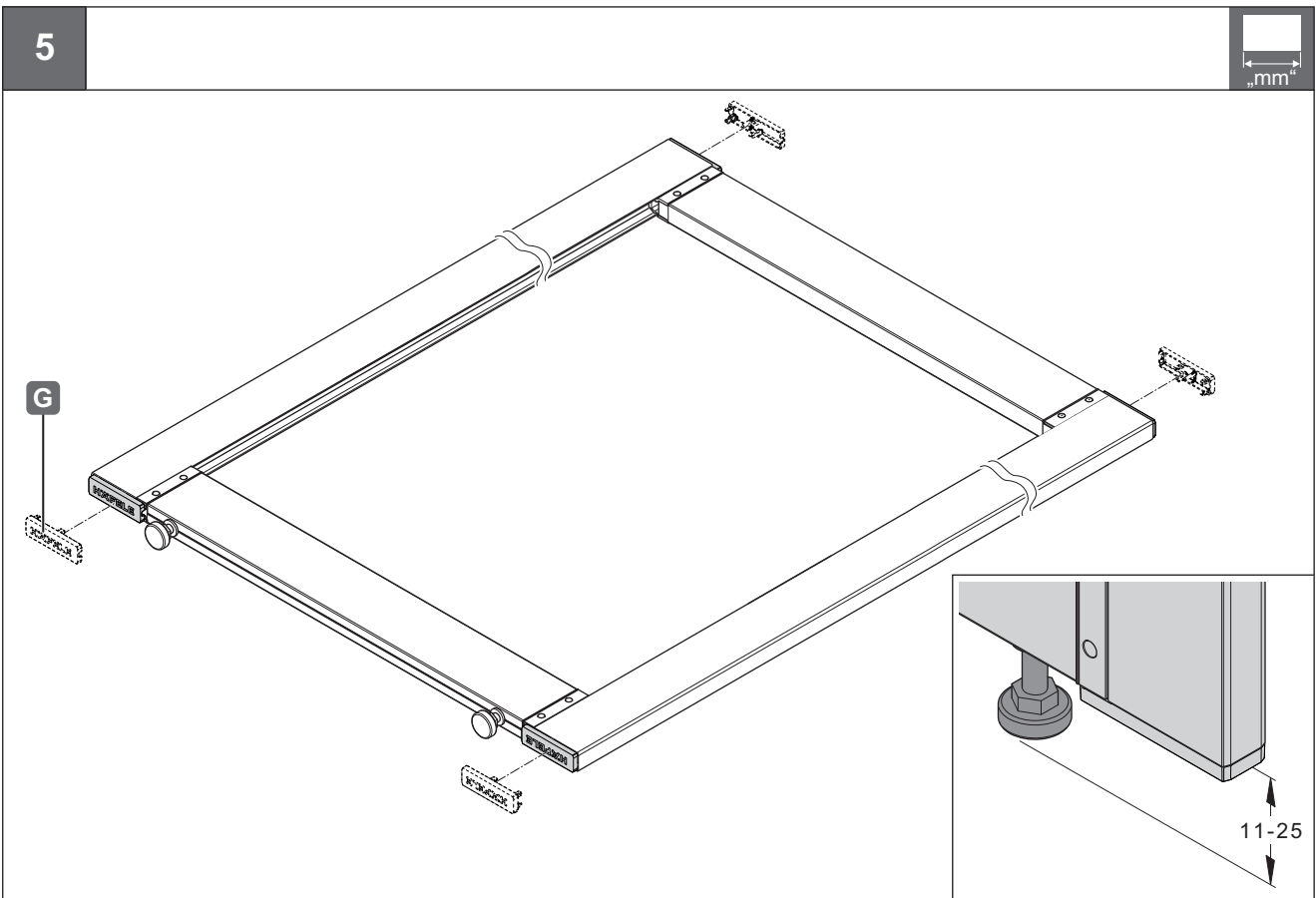
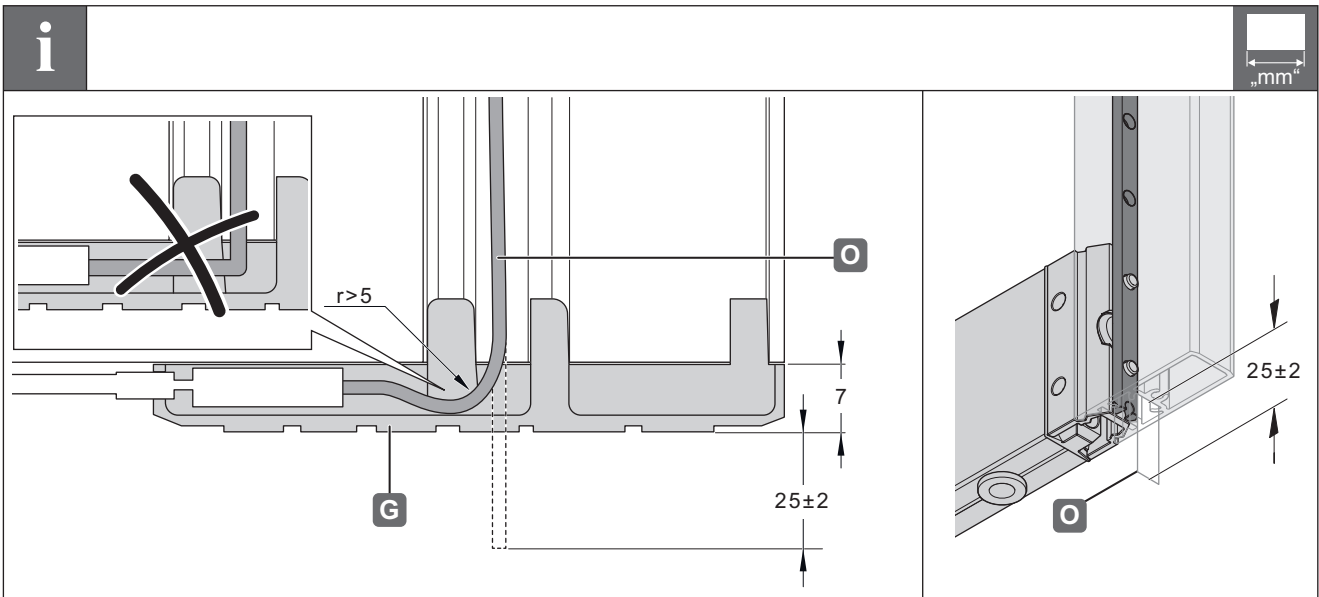
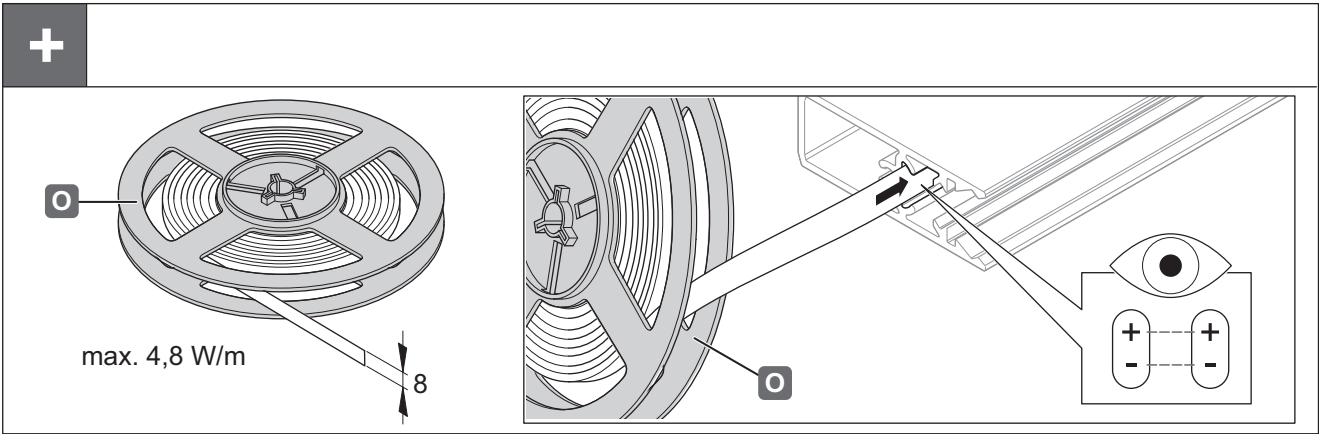


4



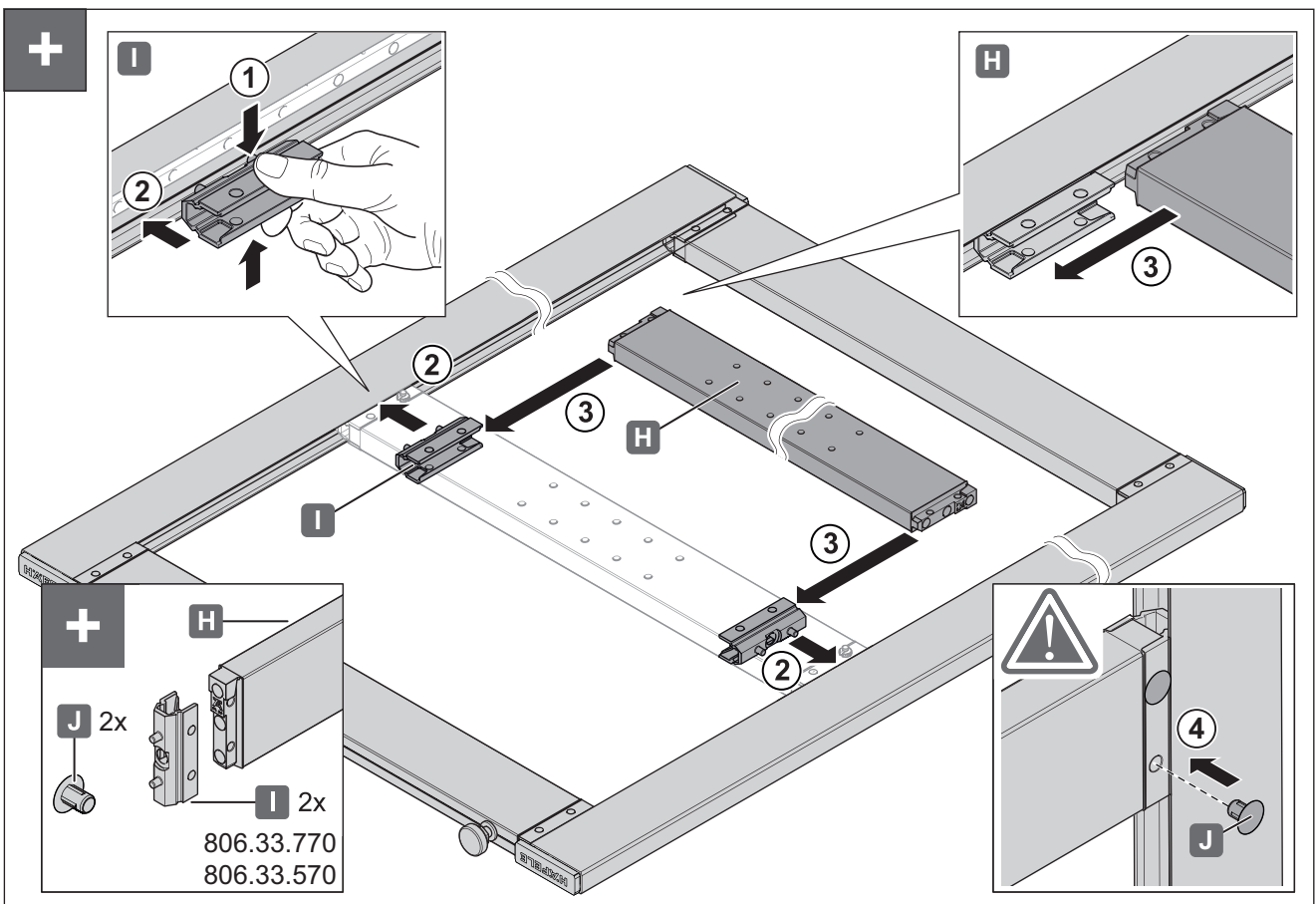
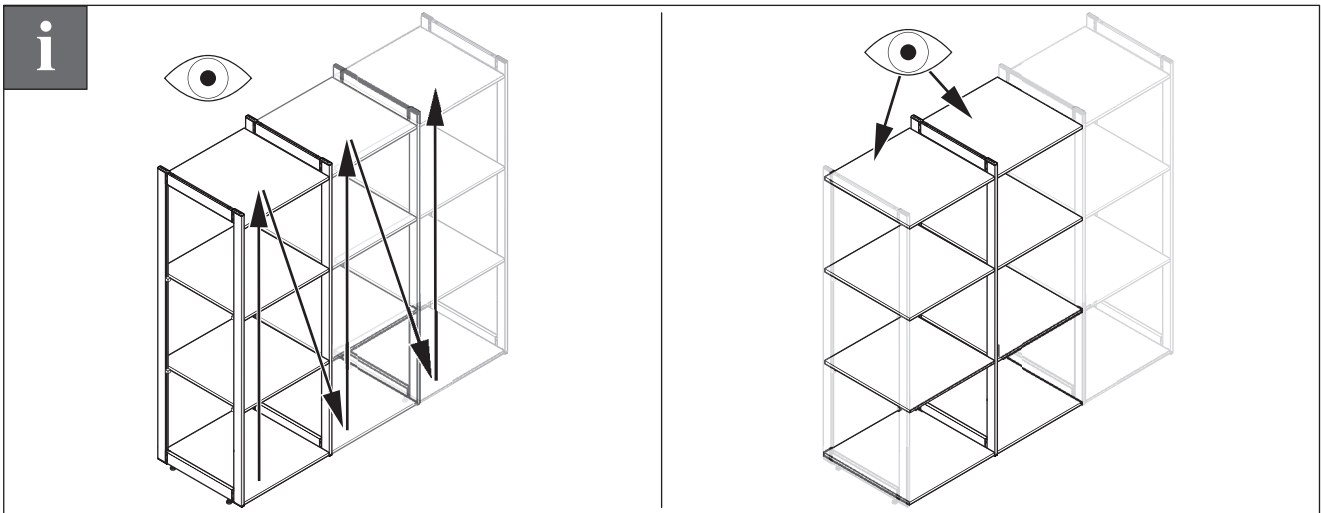
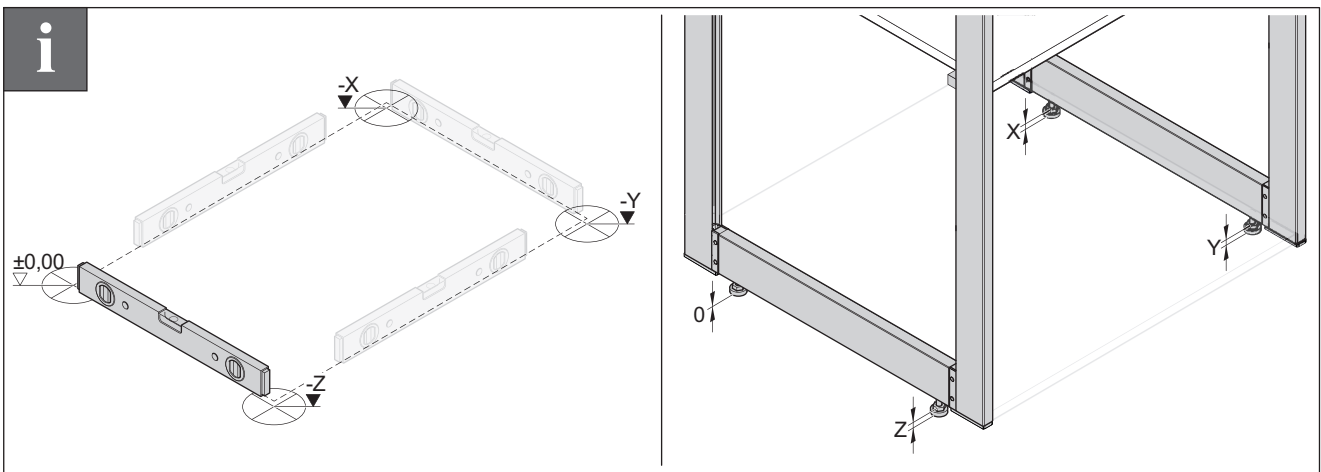
732.28.840

HDE 08.11.2021



732.28.840

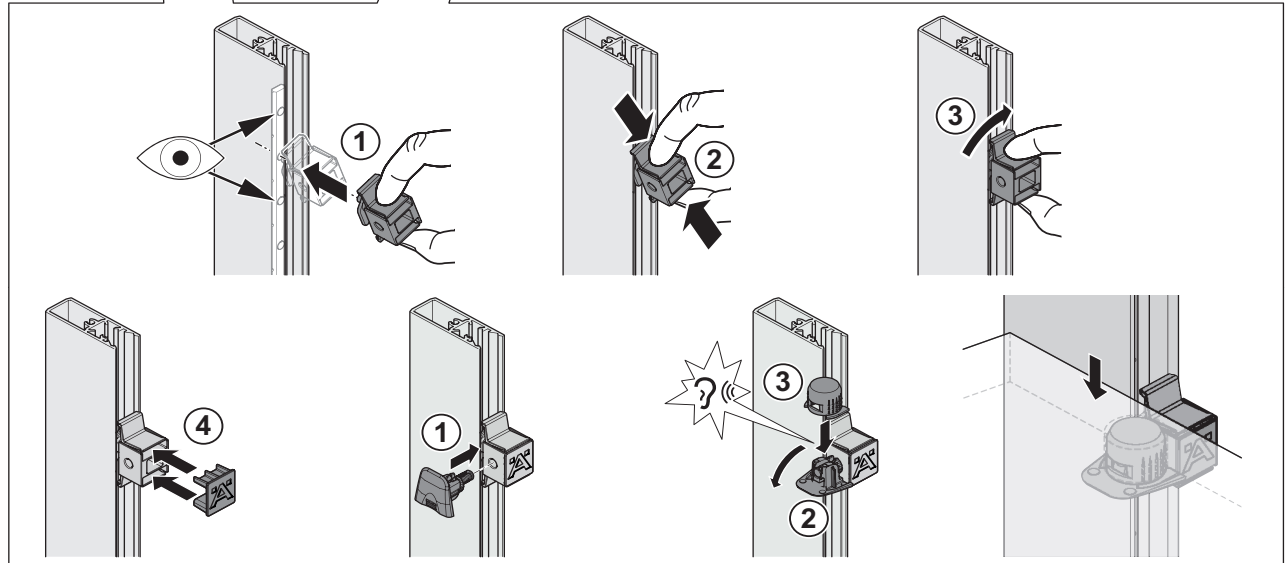
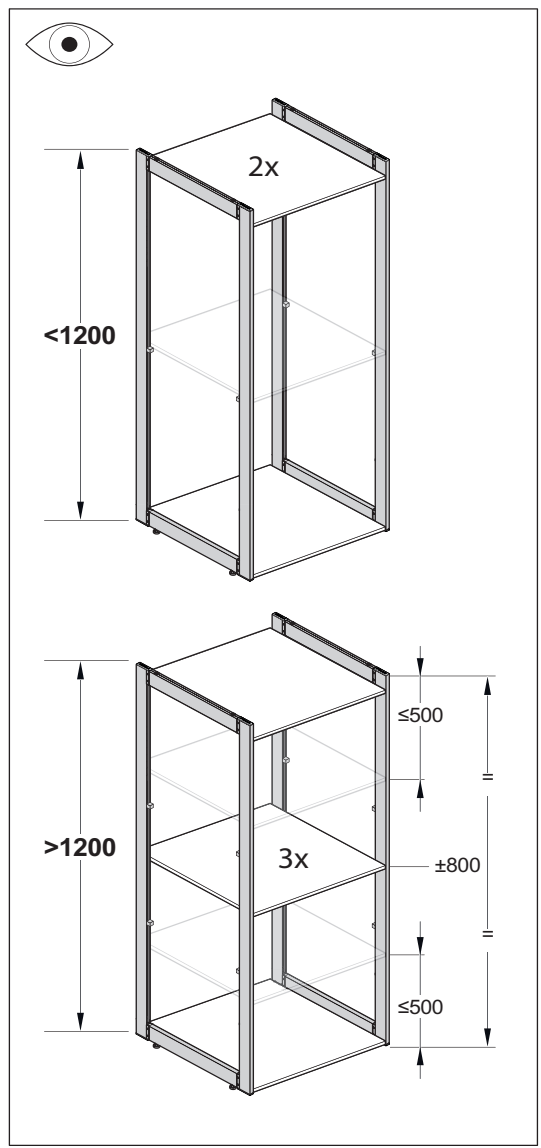
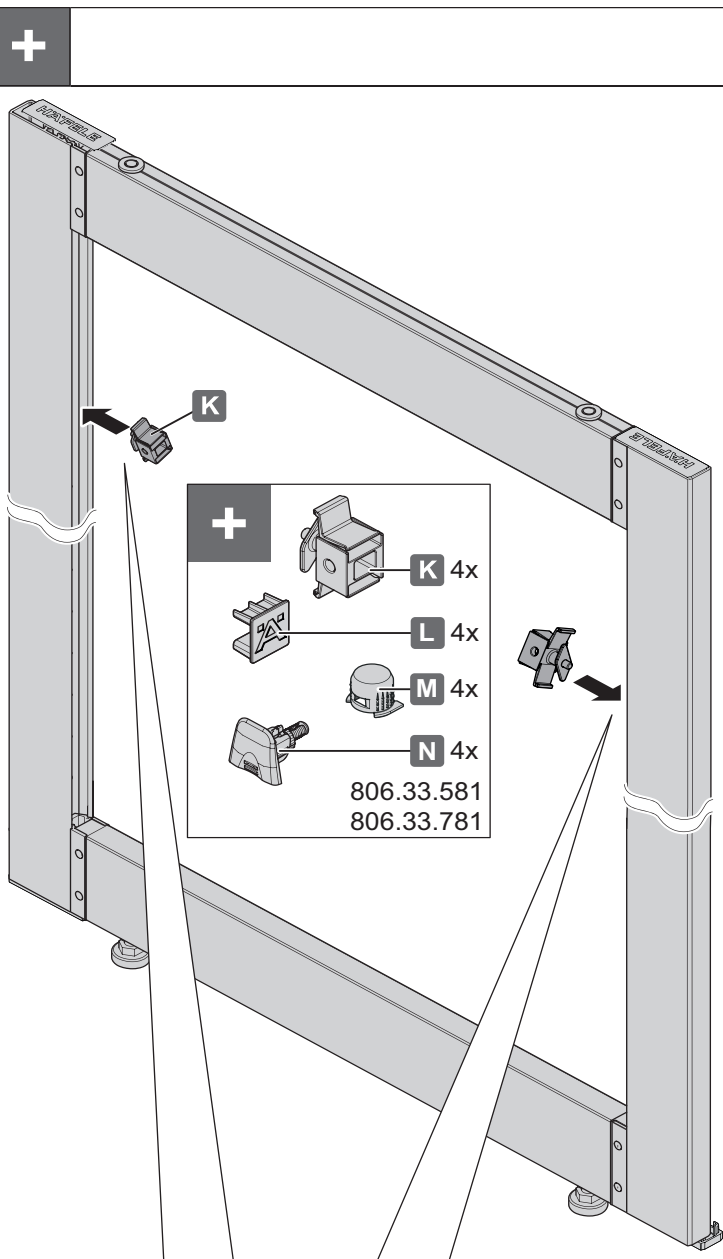
HDE 08.11.2021



732.28.840

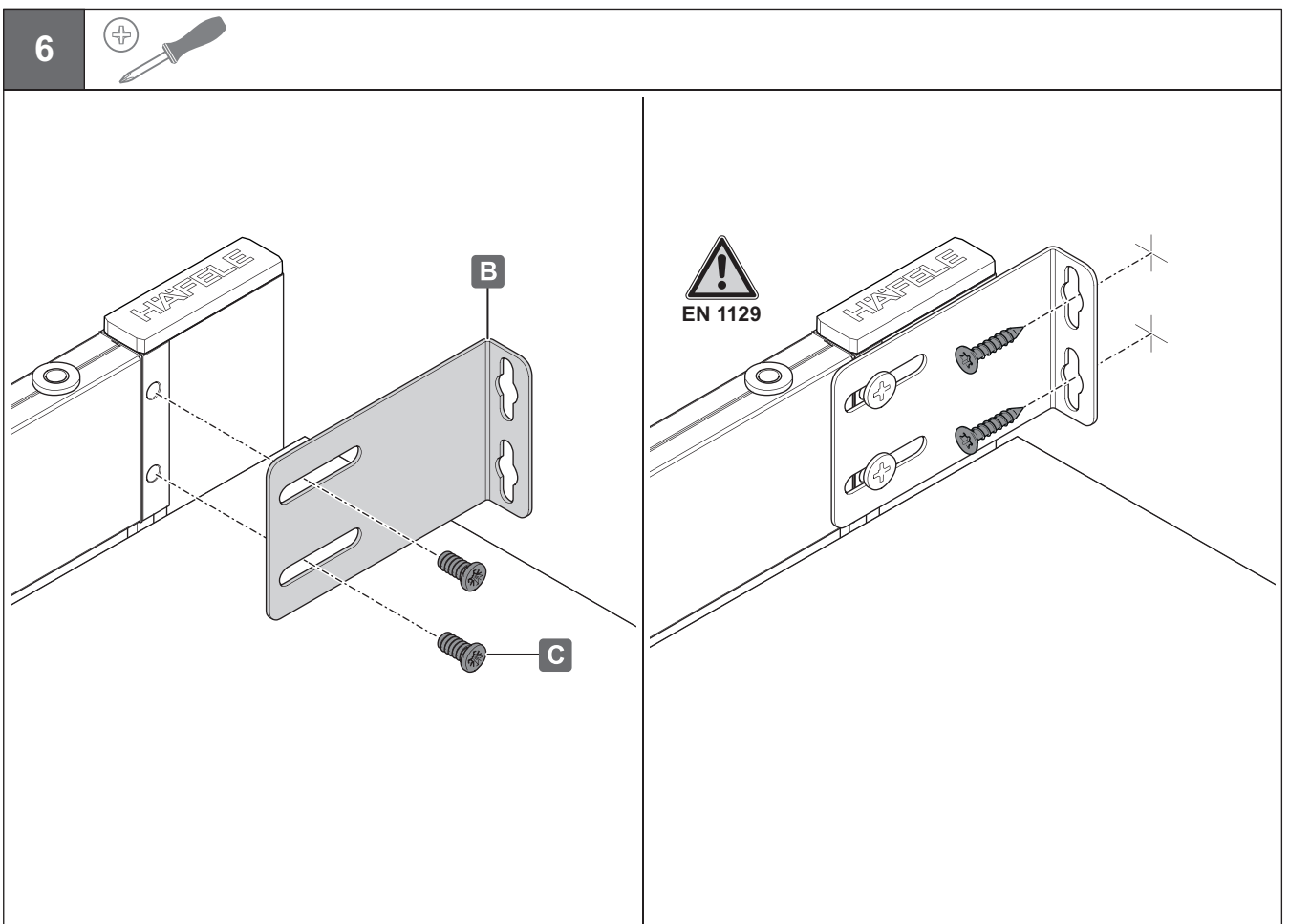
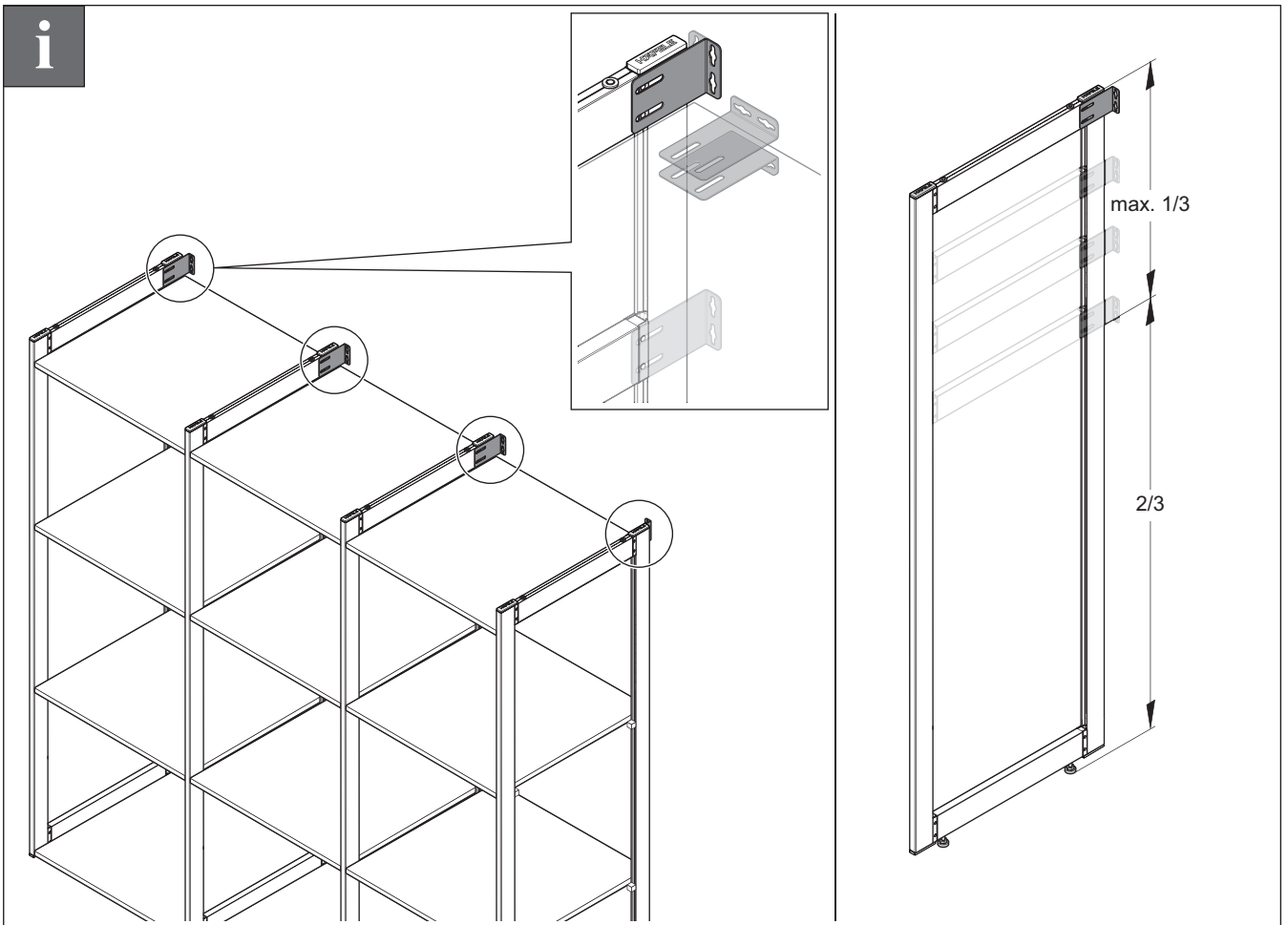
HDE 08.11.2021

mm



732.28.840

HDE 08.11.2021



732.28.840

HDE 08.11.2021